

UC34xx



Cellular Mini Controllers

Designed for Integration of Conventional Devices

UC34xx series of cellular wireless mini controllers are used for data acquisition from conventional sensors and devices.

The UC34xx controllers contains different I/O interfaces including:

- Analog inputs
- Digital inputs
- Relay outputs
- Serial ports (RS485,RS232)

I/O interfaces allow conventional devices and sensors to be deployed via web servers and mobile apps.

In addition, the UC34xx series support multiple trigger conditions and actions which can work without network.

Adopting industrial design and IP30 metal case, UC34xx series is widely used in indoor applications like smart industries, building automation, etc.

UC34xx is compliant with standard LoRaWAN[®] gateways and network servers.

UC34xx



Cellular Mini Controllers

Designed for Integration of Conventional Devices

Model	Digital input	Digital output	Analog input	RS232	RS485
UC3414	2	2	-	-	-
UC3422	1	1	2	-	-
UC3452	1	1	-	1	1

Cellular interface

SIM slot 1 Micro SIM-3FF

Application mode TCP/UDP/MQTT/AWS

Antenna connector 1 × 50 Ω SMA Connectors (Center PIN: SMA Female)

Data interfaces

Configuration port 1 × Micro USB

I/Os

- Digital input Opto-isolated, 3-24VDC (pulse counter support)
- Digital output SPDT Relay contact rating: 3A@DC Max: 30V or AC Max: 250V
- Analog input 4-20mA, Resolution 12 bit

Serial ports RS232/RS485
baud rate RS232: 4800-115200bps, RS485: 1200-115200bps
Protocols RS232: Transparent, RS485 Modbus RTU

UC34xx

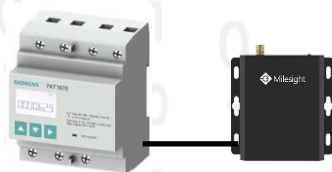
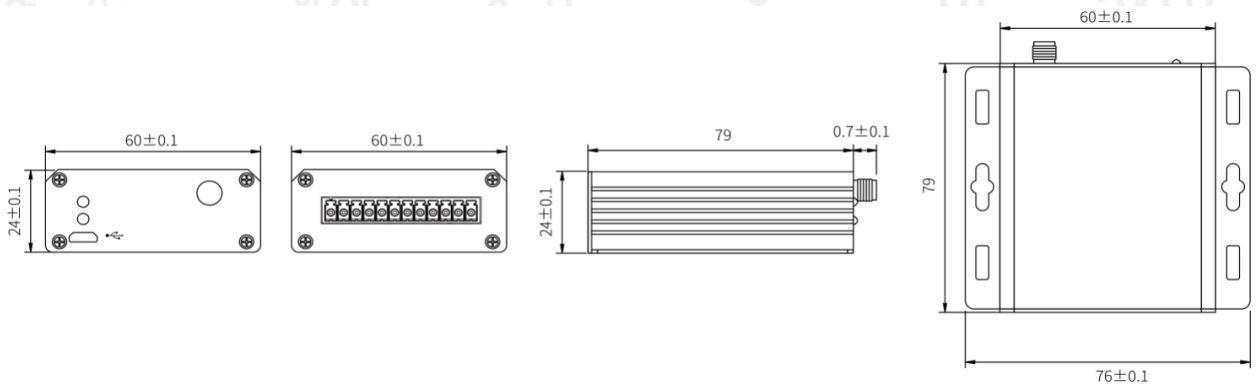


Cellular Mini Controllers

Designed for Integration of Conventional Devices

Physical characteristics

Power connector	3.5mm Terminal
Power	Supply: 5-24VDC, Consumption: $\leq 1.68W$
Ingress protection	IP30
Operating temperature	$-40^{\circ}C$ to $+70^{\circ}C$ ($-40^{\circ}F$ to $+158^{\circ}F$)
Relative humidity	0% to 95% (non-condensing) at $25^{\circ}C/77^{\circ}F$
Dimensions	$79 \times 60 \times 24$ mm ($3.11 \times 2.36 \times 0.94$ in)
Installation	Desktop or wall mounted



Modbus

